








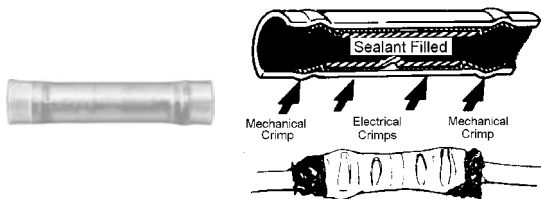


| Actual Size | Stud Size | Auveco Part No. | U.P. Qty |
|---|-----------|-----------------|----------|
| 12 - 10 Gauge Wire Range (Yellow) | | | |
|  | #8 | 21270 | 10 |
|  | #10 | 21271 | 10 |
|  | 1/4" | 21272 | 10 |
|  | 5/16" | 21273 | 10 |

| Actual Size | Stud Size | Auveco Part No. | U.P. Qty |
|--|---------------------------|-----------------|----------|
|  | 3/8" | 21274 | 10 |
|  | 1/4" Female Slip-On | 21282 | 10 |
|  | 1/4" Male Slip-On | 21283 | 10 |
|  | Butt Connector | 21005 | 10 |
|  | 16-14 Ga. To 12-10 Ga. | 21277 | 10 |
| Step Down Butt Connector | | | |

Moisture Resistant Nylon Insulated Butt Connectors

Protects electrical connections from corrosive environments - road chemicals, salt spray, etc. Insert wire and crimp twice (electrical and mechanical) at each end - no need for heat or chemicals.



| Auveco Part No. | Wire Range | Color | Unit Pkg. |
|-----------------|------------|--------|-----------|
| 13683 | 22-18 Ga. | Red | 10 |
| 13684 | 16-14 Ga. | Blue | 10 |
| 13685 | 12-10 Ga. | Yellow | 10 |

Heat-Shrinkable, Solder-Type Closed-End Connector

Heat-shrinkable thermoplastic sleeve containing a spiral wound copper insert that is fitted with a prefluxed solder band. Easy installation: Insert stripped wires, then twist slightly. Twisting causes the copper insert to tightly grip, compress and hold the wires together. Apply heat.



Insulated & Sealed Closed-End Connector

| Auveco Part No. | Wire Range | Minimum Combination | Maximum Combination | Color Code | Unit Pkg. |
|--------------------|----------------|---------------------|---------------------------|------------|-----------|
| 18716 | 22-14 Ga. | 3 22 Ga. | 1 14 Ga., & 1 22 Ga. | Green..... | 10 |

* Not Sealed