





SOLDERLESS TERMINALS

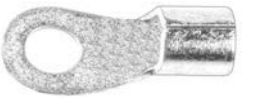

Sec. 12

Non-Insulated



8 Gauge Wire Range

Actual Size	Stud Size	Auveco Part No.	Unit Pkg.
	1/4"	15158	25
	5/16"	15159	25
	3/8"	15160	25
	1/2"	15161	25

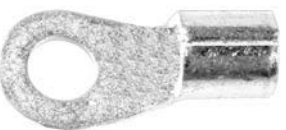


6 Gauge Wire Range

	1/4"	15162	25
	5/16"	15163	25

6 Gauge Wire Range (Continued)

Actual Size	Stud Size	Auveco Part No.	Unit Pkg.
	3/8"	15164	25
	1/2"	15165	25

4 Gauge Wire Range

	1/4"	15166	10
	5/16"	15167	10
	3/8"	15168	10

This catalog includes **Specification Charts** to assist you in the identification of various types of fasteners. The charts can be found on the following pages:

Body Bolts (pages 20 & 49 - 50)

Special Tapping Screws (pages 23 - 26 & 54 - 57)

License Plate Screws (pages 33 - 34)

"Xmas Tree" Retainers (pages 404 - 413)

Push-Type Retainers (pages 450 - 460)

The charts list the pertinent dimensions, plating or color information and the page number on which the actual size picture and application information is shown for each item.