

## Sec. 12

# FORD SOCKET ASSY. & HARNESS CONNECTORS

Use with butt connectors on pages 137 - 149 • Illustrations Not Actual Size

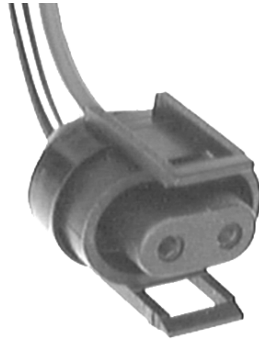


**21490**

(GM: 12102664, 88862264)  
(Ford: 1U2Z-14S411-YA)

Fog & Front Lights,  
Pwr. Steering & Oil Pressure  
Switch Harness Connector  
GM 2005 - 1986  
Ford 2004 - 1995  
Jeep Eagle 1994

UNIT PACKAGE: 1

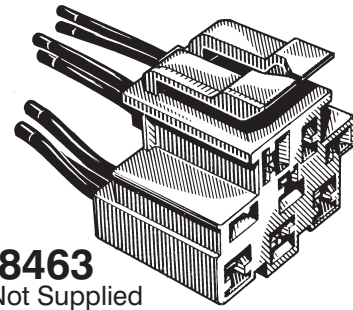


**19890**

(Not Available From O.E.M.)

Back-Up Light Switch  
Harness Connector  
Fits Switches C9TZ-15520C &  
SW-849  
Ford Trucks & T-Bird  
1967-On

UNIT PACKAGE: 1



**18463**

(Not Supplied  
By O.E.M.)

Headlight Switch  
Harness Connector  
Fits Headlight Switches  
E6DZ-11654A & F2DZ-11654A  
Ford Taurus & Mercury Sable  
With Rotary Knob  
1994-86

UNIT PACKAGE: 1

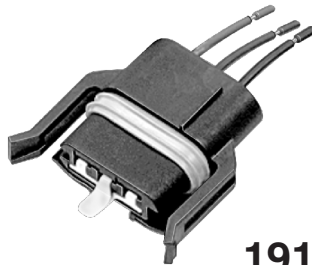


**14918**

(12048369)

Headlight Socket Assembly For  
High-Low 9004 & 9007 Halogen Bulb  
GM, Ford & Imports

UNIT PACKAGE: 1

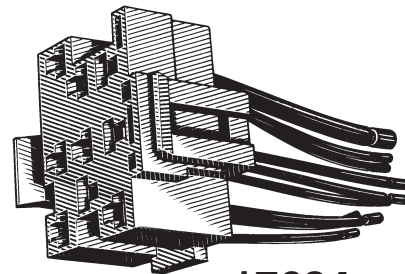


**19125**

(Not Supplied  
By O.E.M.)

Plugs Into Light Socket  
Base For Double Filament  
Wedge Type Bulbs  
Stop, Tail, Turn & Parking Lights  
Ford Ranger, Explorer & Econoline  
1991-On

UNIT PACKAGE: 1

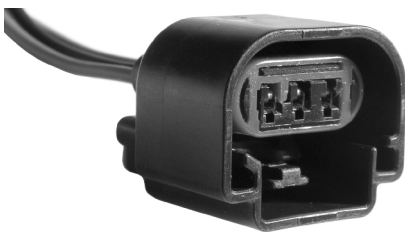


**17624**

(Not Supplied  
By O.E.M.)

Headlight Switch Assembly  
Harness Connector  
Fits Instrument Panel  
Headlight Switch E7TZ-11654-C  
Ford Trucks: F150, F250, F350 &  
Bronco  
1991-87

UNIT PACKAGE: 1



**20847**

(Not Supplied By O.E.M.)

Headlight Harness Connector  
Three 16 Ga. Wire Leads  
For 9008/H13 Halogen Bulb  
Ford F150 Freestar  
& Mercury Monterey  
2004 - On

UNIT PACKAGE: 1

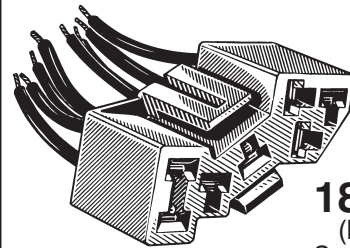


**19126**

(Not Supplied  
By O.E.M.)

Plugs Into Light Socket Base For  
Single Filament Wedge Type Bulbs  
Back-Up Lights  
Ford Ranger, Explorer & Econoline  
1991-On

UNIT PACKAGE: 1



**18464**

(Not  
Supplied  
By O.E.M.)

Turn Signal Switch  
Harness Connector  
Fits Switch E7FZ-13341-A  
Ford Tempo, Topaz, EXP, LN7, Capri,  
Mustang, LTD, Marquis,  
Escort & Lynx  
1994-85

UNIT PACKAGE: 1