

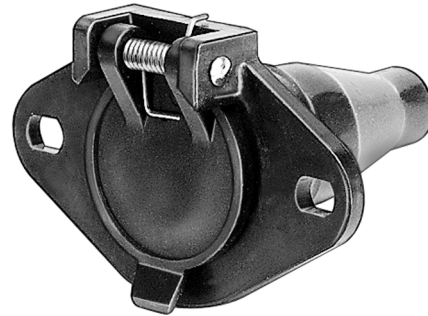
Sec. 12**UNIVERSAL SOCKET ASSY. & HARNESS CONNECTORS**

Use with butt connectors on pages 137 - 149 • Illustrations Not Actual Size

**13634**

Complete 4-Way Trailer Connector. Polarized four prong. Chrome plated die cast housing. 2-hole flange mounting 1-13/16" on centers. Mounting bracket available.

UNIT PACKAGE: 1 Set

**13640**

6-Way Trailer Connector Socket

UNIT PACKAGE: 1

**13639**

6-Way Trailer Connector Plug

UNIT PACKAGE: 1

**13636**

Complete 6-Way Trailer Connector Assembly consists of 13639 plug and 13640 socket. Specifically designed for Recreational Vehicles. Die cast plug housing is chrome plated and socket is a one piece plastic molded unit complete with plated spring loaded cover and a special moisture and dust-proof boot.

UNIT PACKAGE: 1 Set

AuvecoPak: The fastest moving, most popular, automotive body hardware and specialty fastener items in a one-price bag. Refer to the color pages at the front of the catalog.

**13643**

Universal Bracket

For use with 13634 and 13640 trailer connectors. Designed to fit under trailer high ball. Heavy gauge zinc plated steel.

UNIT PACKAGE: 2