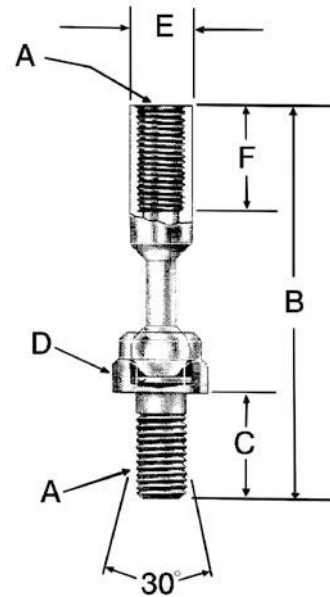


BALL JOINT ASSEMBLIES (Lightweight)



Materials of construction - Made of low carbon steel. Units are plated and dichromate treated for corrosion resistance. A rubber disc is used.

Only Available Fully Assembled.

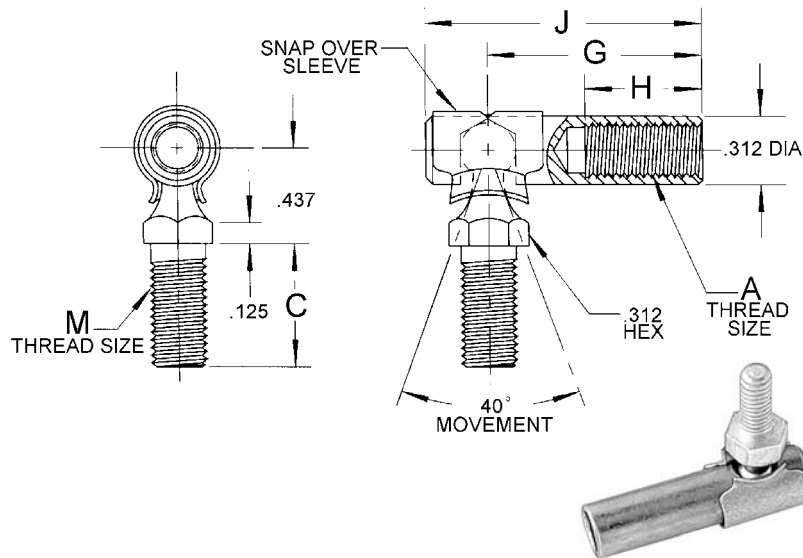


DIMENSIONS

Auveco Part No.	Unit Pkg.	G.M.C. Part No	A	B	C	D	E	F
21533	2	443773	1/4-28	2-3/32	9/16	7/16	5/16	9/16

Disconnecting

Materials of construction - Made of low carbon steel. Both ball stud and ball cavity are case hardened. Plated and dichromate treated for corrosion resistance. The retaining clip is heat treated spring steel, plated for corrosion resistance



Only Available Fully Assembled

DIMENSIONS

Auveco Part No.	Unit Pkg.	A	C	G	H	J	M
13599	2	10-32NF	7/16	7/8	31/64	1-5/32	10-32NF
13601	2	10-32NF	9/16	7/8	31/64	1-5/32	1/4-28UNF
13600	2	1/4-28UNF	9/16	31/32	17/32	1-1/4	1/4-28UNF